

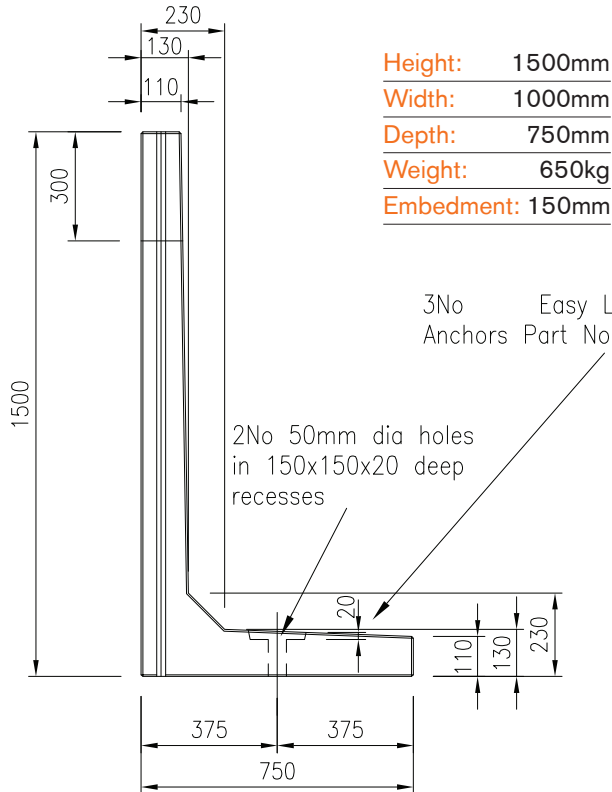
1.50m Retaining Wall

Drawing number: 12073-017

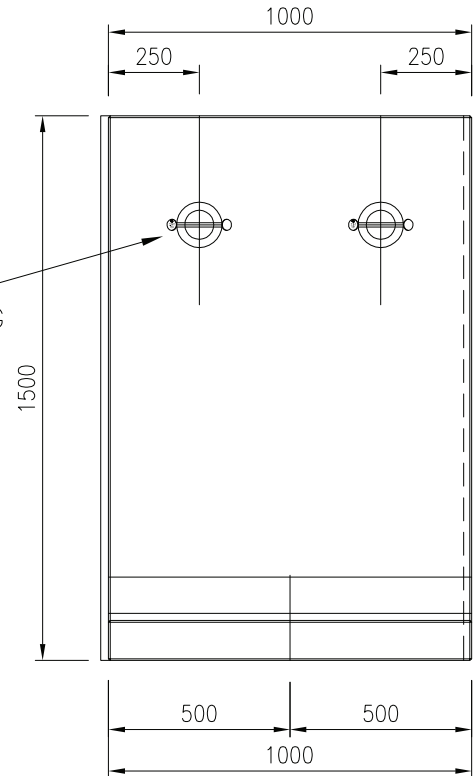
Precast Products

Note: Do not scale from this drawing. If in doubt, please ask for confirmation of any dimension.

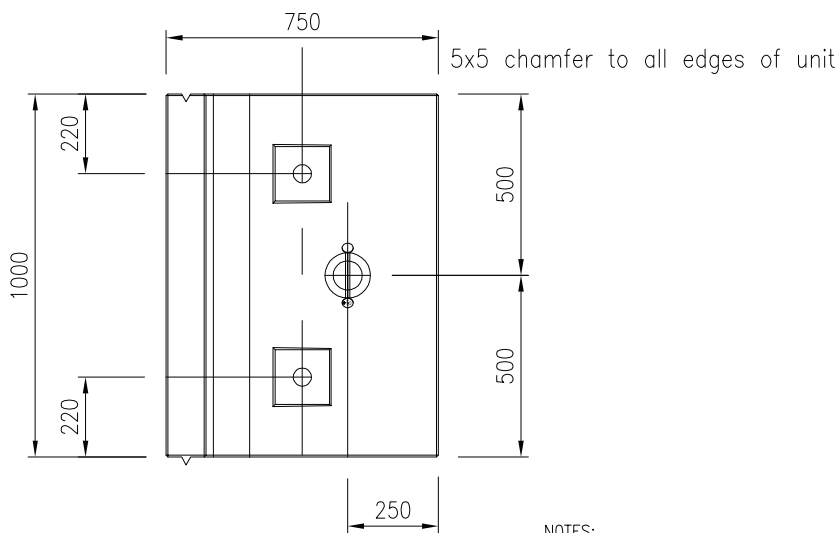
Unit volume = 0.263 cu m



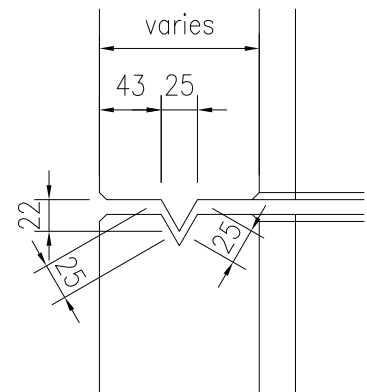
Side Elevation



Front Elevation



Plan



Joint Detail (1:5)

NOTES:

- Concrete strengths:-
 At 28 days Min 60 N/sq mm
 At demoulding Min 15 N/sq mm
- For reinforcement details see Drg no 12073-019.

For further information please call or email our dedicated sales team.

→ **01773 600 211**

retainingwalls@forterra.co.uk



All content copyright © 2015 Forterra

1.50m Retaining Wall

ANCILLARY ITEMS

Precast Products

Note: Do not scale from this drawing. If in doubt, please ask for confirmation of any dimension.

Loose items schedule: per 1.50m unit

No.	Item
2	M16 (Grade 8.8) Galv Althread x 340lg
2	M16 Galv Nuts
2	100 x 100 x 8thk Galv Plate washer (Ref: PW4)

Grouted in using C32/40 non-shrink grout

All loose items available direct from Forterra.
Please enquire for further details.

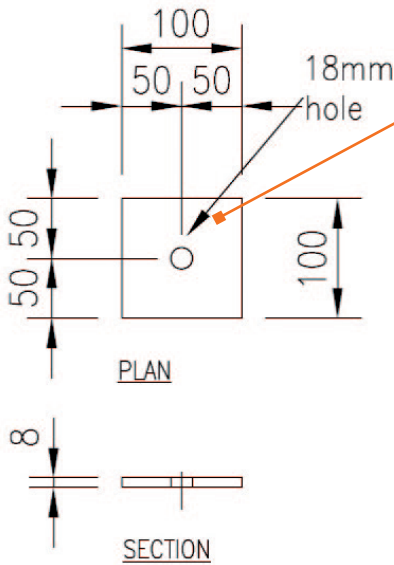
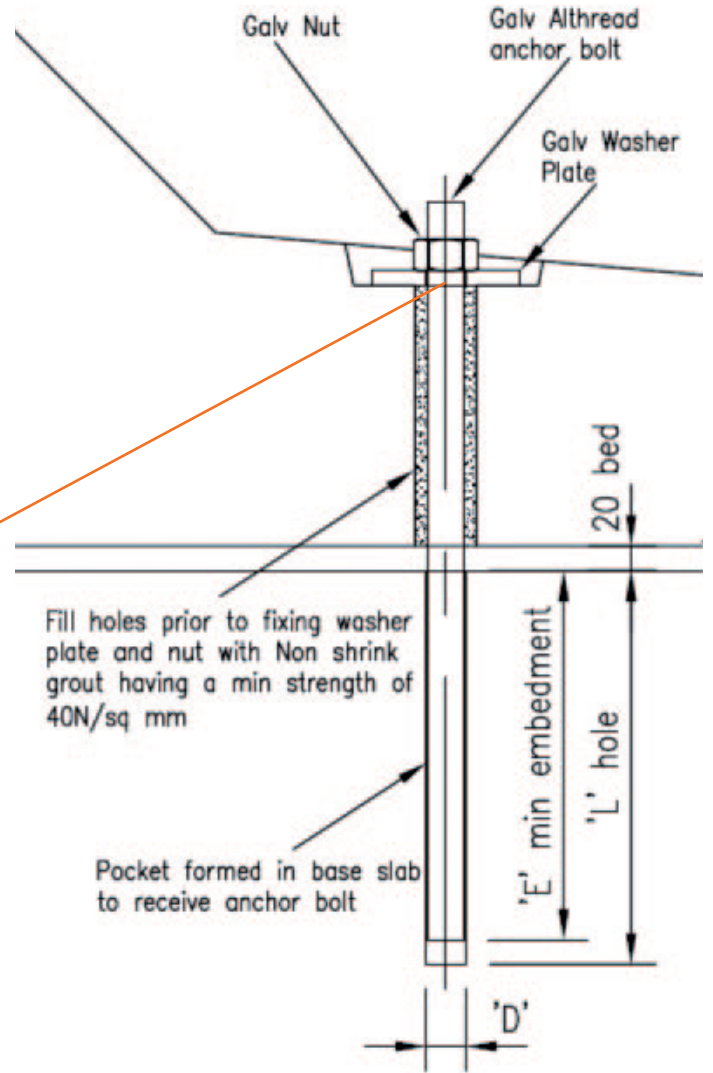


Plate Washer PW4



Anchor Bolt Detail

For further information please call
or email our dedicated sales team.

→ **01773 600 211**

retainingwalls@forterra.co.uk



All content copyright © 2015 Forterra