

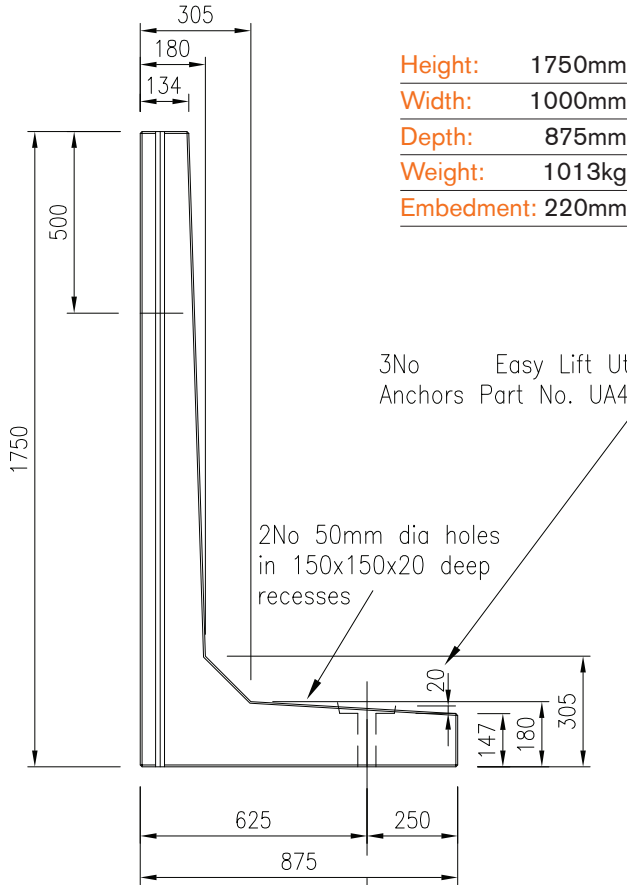
1.75m Retaining Wall

Drawing number: 12073-001

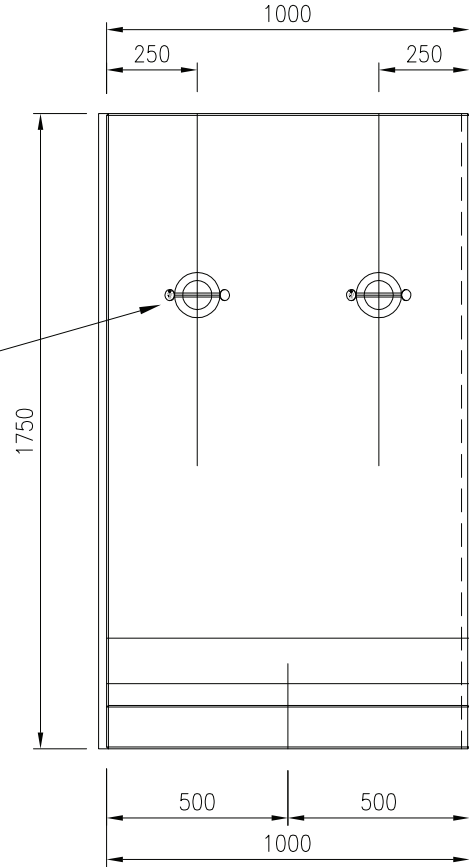
Precast Products

Note: Do not scale from this drawing. If in doubt, please ask for confirmation of any dimension.

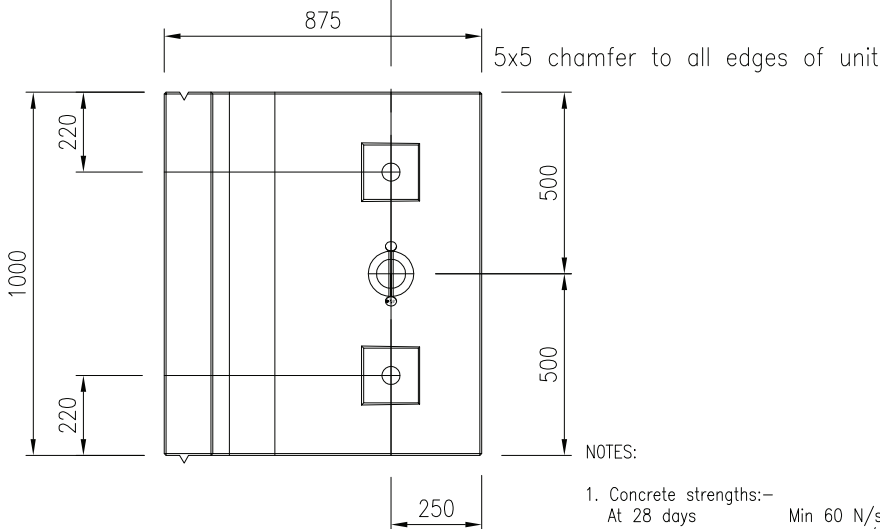
Unit volume = 0.405 cu m



Side Elevation

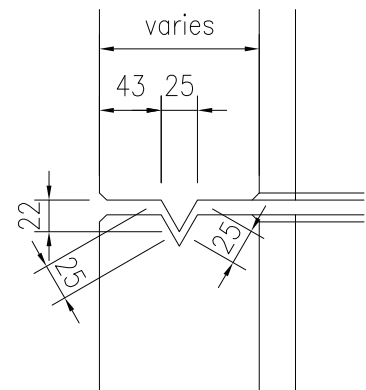


Front Elevation



NOTES:

- Concrete strengths:-
At 28 days Min 60 N/sq mm
At demoulding Min 15 N/sq mm
- For reinforcement details see Drg no 12073-003.



Joint Detail (1:5)

For further information please call or email our dedicated sales team.

→ **01773 600 211**

retainingwalls@forterra.co.uk



FORTERRA™

All content copyright © 2015 Forterra

1.75m Retaining Wall

ANCILLARY ITEMS

Precast Products

Note: Do not scale from this drawing. If in doubt, please ask for confirmation of any dimension.

Loose items schedule: per 1.75m unit

No.	Item
2	M20 (Grade 8.8) Galv Althread x 450lg
2	M20 Galv Nuts
2	100 x 100 x 10thk Galv Plate washer (Ref: PW3)

Grouted in using C32/40 non-shrink grout

All loose items available direct from Forterra.
Please enquire for further details.

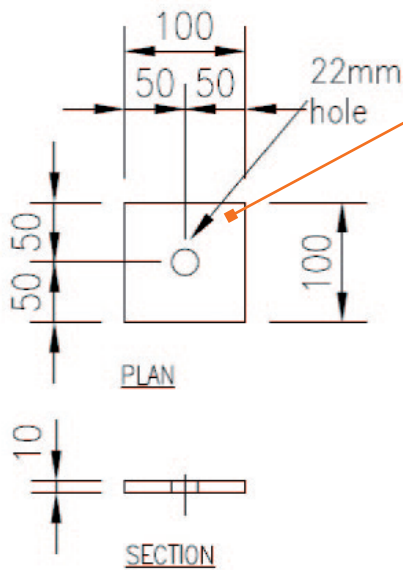
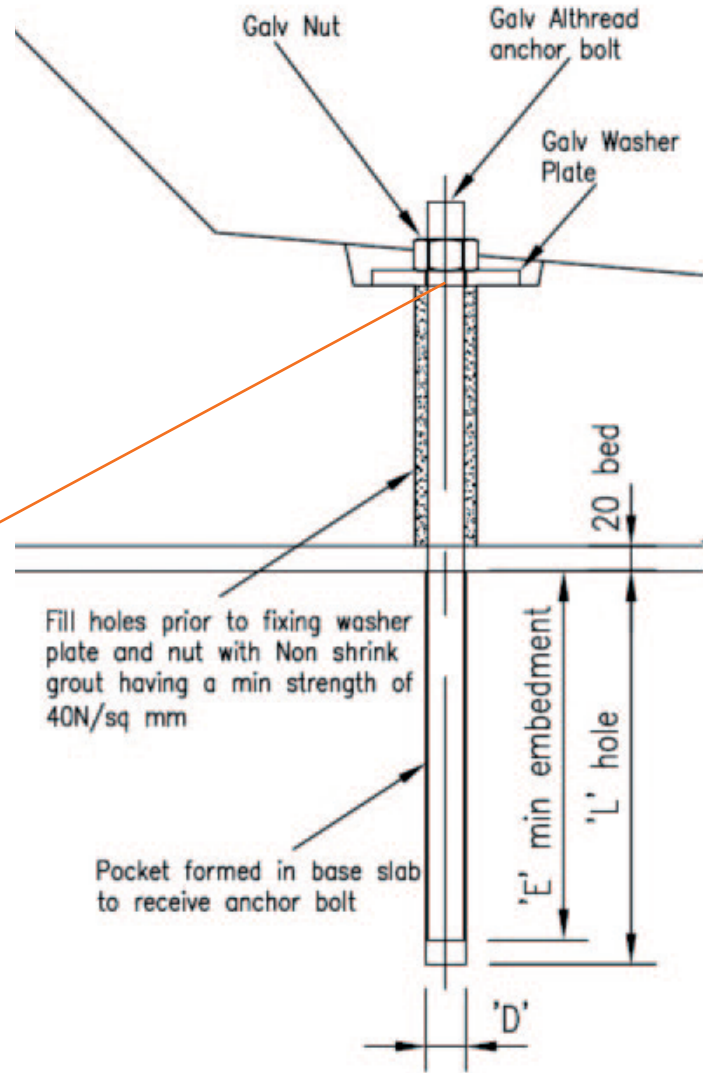


Plate Washer PW3



Anchor Bolt Detail

For further information please call
or email our dedicated sales team.

→ **01773 600 211**

retainingwalls@forterra.co.uk



All content copyright © 2015 Forterra